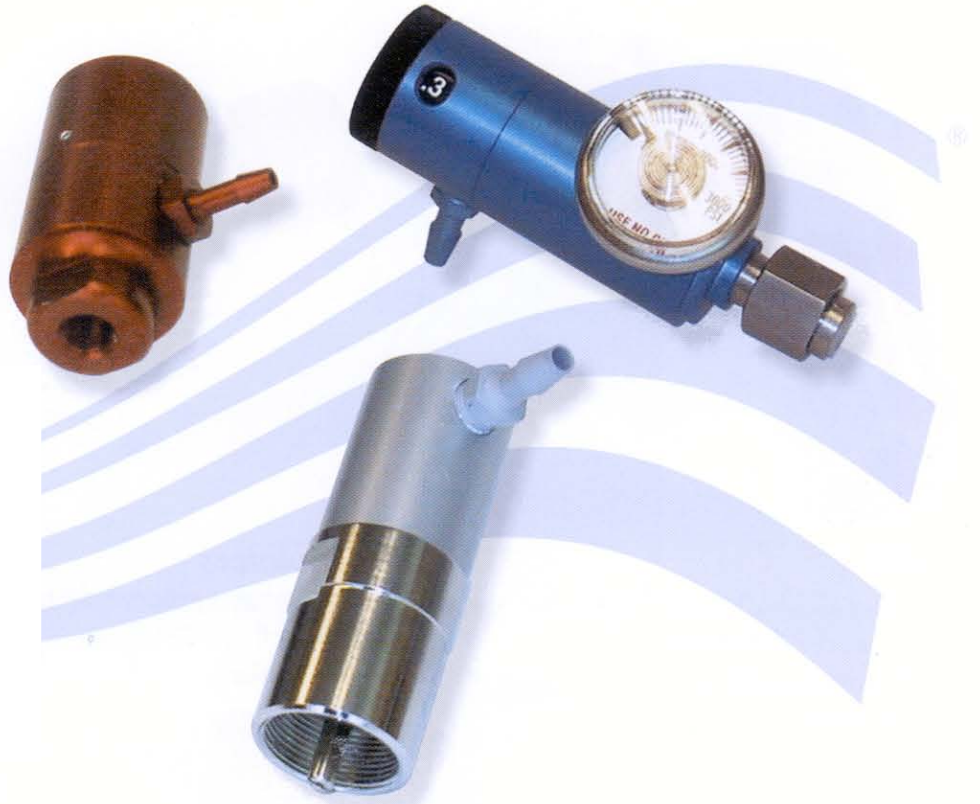




Contemporary Products, LLC

Precise & Reliable Compressed Gas Control Regulators

Non-Reactive, Mildly Reactive and Highly Reactive Gas Applications:
Calibration, Sampling, Processing Systems in Single-Stage,
Piston Style Fixed and Variable Versions.



Call (800) 424-2444 or (860) 343-1100 for more information...



Fixed Flow Regulators

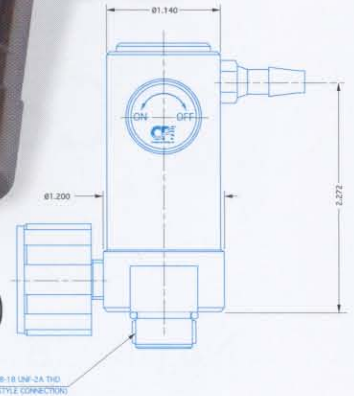
Contemporary Products, Inc. remains dedicated to the hallmark of "Quality, Service and Value" as we move broadly into the instrumentation market. All we do is focused on our customers. Our determination to provide the highest quality of products; to serve our customers' needs in a timely manner and to price our products fairly is the CPI way.



CPI1/8-x
Fixed Flow with balanced pressure and flow capabilities. Available also with on/off needle valve.



CP10-x
Bayonet Style (above) on/off or Needle Valve Style (right) fixed flow. Bayonet Style has purge capability.



CP600-x
Integrated CGA600, fixed flow, available with on/off valve-needle or bayonet style.



CP973-x
Fixed Flow regulator.

Variable Flow Regulators



CP180-8AN

Variable Pressure Regulator

Variable Pressure

Standard Flow Ranges:

- 0 to 5 lpm
- 0 to 8 lpm
- 0 to 15 lpm
- 0 to 120 psi

Constant Pressure Standard

Click Regulator Flow Ranges:

- a: .3, .5, 1, 1.5, 2, 2.5, 3, 5, 6, 7 & 8
- b: .5, 1, 1.5, 2, 2.5, 3, 4, 5, 6, 7 & 8
- c: .5, 1, 1.5, 2, 3, 4, 5, 6, 8, 10 & 15
- d: .5, 1, 2, 3, 4, 5, 6, 8, 10, 15 & 25
- e: $\frac{1}{32}$, $\frac{1}{16}$, $\frac{1}{8}$, $\frac{1}{4}$, $\frac{3}{8}$, $\frac{1}{2}$, $\frac{3}{4}$, $\frac{7}{8}$ & 1

(Custom Flow ranges available)



CP180-8UN-SS

Click Reg with preset flow ranges with CGA 180 inlet.

CP1/8-8UN

Click Reg with preset flow ranges with $\frac{1}{8}$ " inlet.



CPI offers a variety of **inlet & outlet connections** for virtually all regulators.

Inlet Connections

- $\frac{1}{8}$ " npt
- $\frac{1}{4}$ " npt
- C10
- CGA standards such as: 170, 180, 600, 973

Also available: Custom customer specified connections

Outlet Connections

$\frac{1}{16}$ ", $\frac{5}{64}$ ", $\frac{3}{32}$ ", $\frac{1}{8}$ ", $\frac{3}{16}$ ", $\frac{1}{4}$ " hose barbs or other customer specified connections

Standard Specifications for our Regulators

**VERSATILITY
AND MANY
COMBINATIONS
AVAILABLE**

Inlet Pressure: 10 psi minimum — 3000 psi maximum

Outlet Pressure: .1 to 120 psi +/- 10%

Flow Range: .01 to 150 lpm +/- 10%

Leak Rate: 1×10^{-4} cc/sec

Temperature Range: -100°F to 400°F

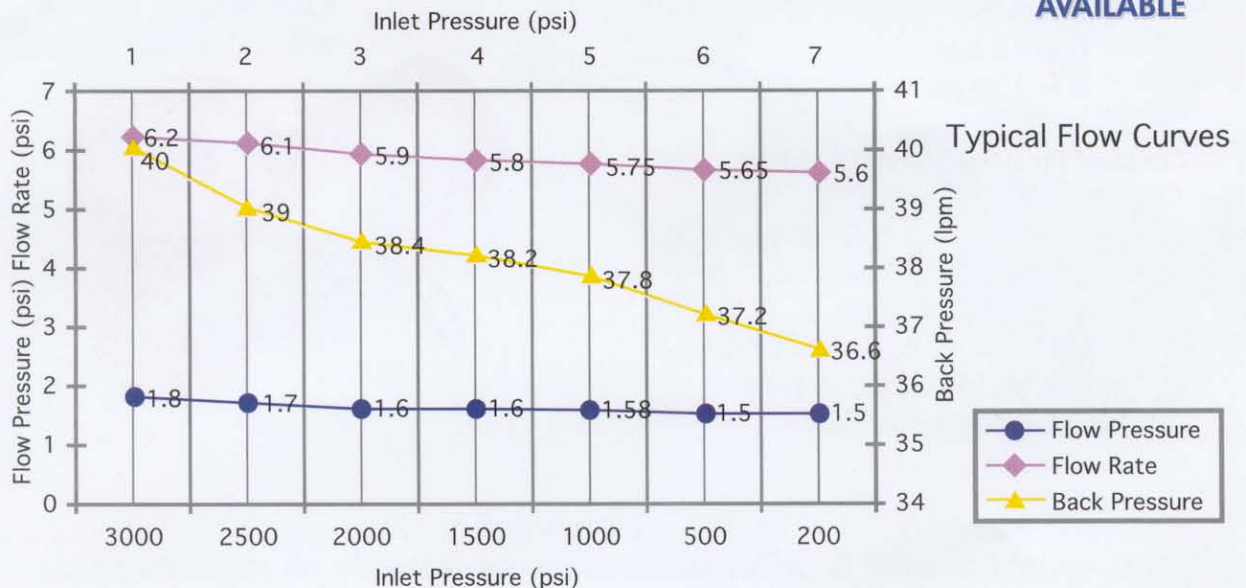
Materials of Construction for regulators are dependent upon user specified applications.

All regulators can be manufactured from:

- Anodized Aluminum Components
- Brass, or Nickel Plated Brass Components
- Stainless Steel Components.

Appropriate resilient materials will be used for piston seats and o-rings.

**ELECTRONIC
DEMAND
REGULATORS
NOW
AVAILABLE**



**Contemporary Products, LLC
2055 South Main Street
Middletown, Connecticut 06457-6151**

800-424-2444 fax: 800-248-8423

**www.contemporaryproducts.com
cpi@contemporaryproducts.com**